



DATA CENTRE SOLUTIONS

Fibre Optic Ducting Raceway System

Fibre Optic Ducting Raceway System

Rainford YellowDuct raceway systems have been uniquely designed to protect fibre optic cables from being damaged and ensures that the bend radius of the cable is not compromised. All components in the system are manufactured from Noryl, a very strong engineering plastic, which is self-extinguishing and halogen free (certified to UL94V-0 specifications for 100, 220 and 300 mm ducting, and to UL94V-1 specifications for 30 and 50 mm ducting). This means in the case of a fire, the gases emitted will not cause harm to personnel, buildings or transmission equipment.

Our YellowDuct raceway system is available in 7 sizes and all components simply snap together or can be joined with “spotless” joiners. Vertical drops can be positioned or added easily with the addition of a cutout in the horizontal duct raceway using a hand tool or by using the express “over the top” drop option which requires no tools.

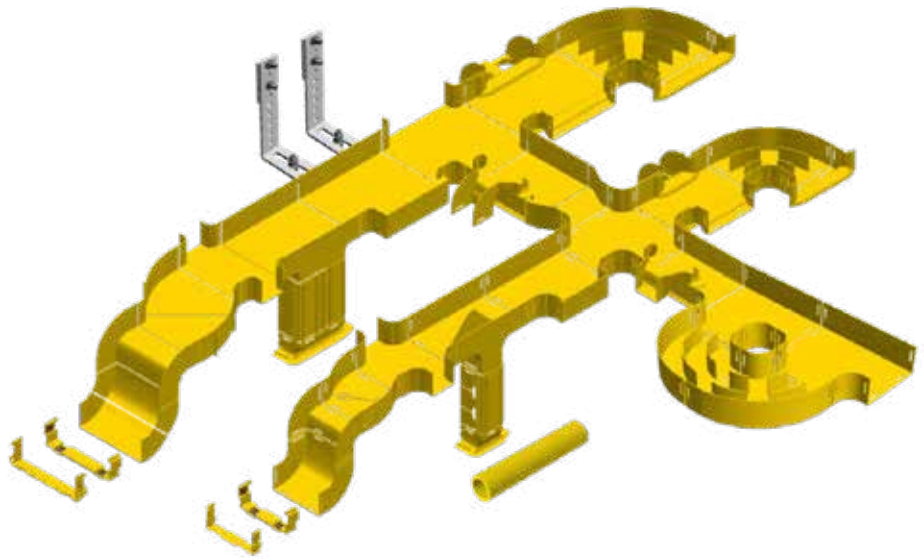
These fibre optic ducting raceway products are manufactured to the highest quality standards (ISO 9001), complying with the stringent requirements of UL2024A & ROHS and carry a 10 year warranty.



The YellowDuct raceway system can be mounted from walls, ladder racks, on raised floor support brackets, on floors, or to the top of equipment racks or frames. There are over 350 individual components available in 7 different sizes.

YellowDuct Raceway Products

- 600 mm x 100 mm system
- Straight duct lengths
- Joiners
- Vertical elbows
- Horizontal elbows
- Horizontal tees
- Vertical tees
- Horizontal crosses
- Fibre storage loops
- Adaptors
- End caps
- Tubing
- Reducers
- Low profile ducting solution
- Data rack ducting & accessories
- Drop-off solutions
- Mounting solutions
- Tooling components



YellowDuct Mounting

The YellowDuct raceway systems can be mounted in various locations. Just a few examples are show below, however if you are looking for a custom solution or additional mounting options, contact our sales team.



Cable Entry and Exits

Select the appropriate drop-off or outlet method from the following examples:

Round convoluted tube



Solid duct



Trumpet



Square convoluted tube



Fibre cords can be simply routed via ramp off into or out of the ducting

Cords can easily pass through the ducting to the next drop point or exit



Single or dual high-density convoluted tube outlets

Standard and Conforms

These YellowDuct raceway items conform to the following standards and requirements:

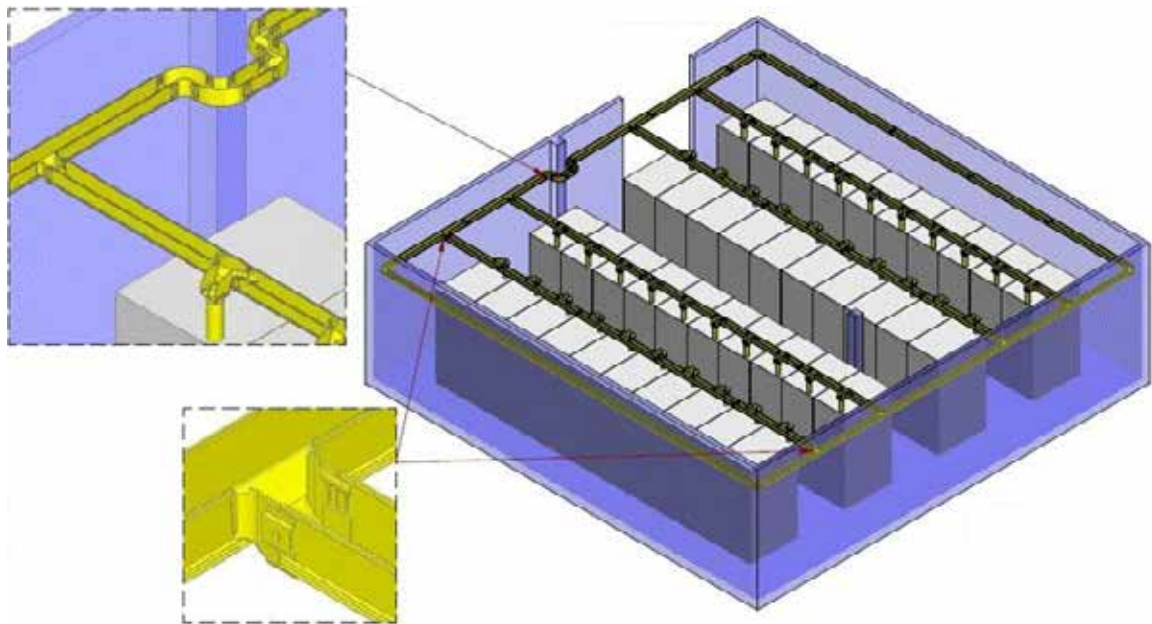
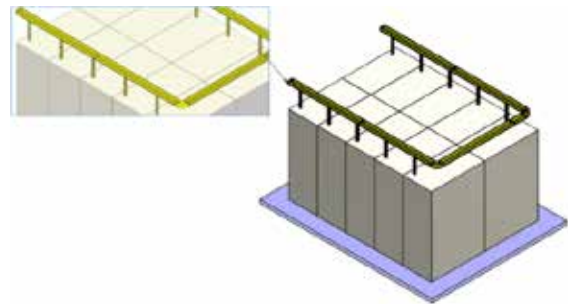
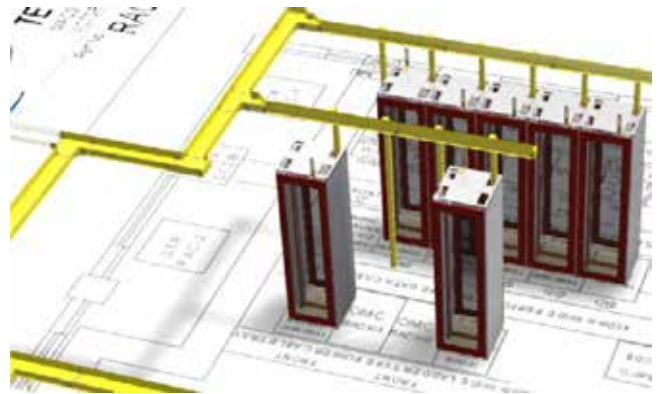
- ISO 9001 Certified Quality Management System by BSI
- Fire retardant plastic, Halogen Free, for 100, 220 and 300 mm ducting the rating is UL94V-0, for 30 and 50 mm ducting the rating is UL94V-1
- UL2024A standard
- EEU - ROHS requirements
- GR-63 Core Earthquake test compliance

Design and Planning

We understand that not all data centres are the same. Our team of experts can design a solution that meets all your requirements and provide a bill of material (BOM), based on your floorplan. (AutoCAD, BIM, Visio).

Planning a Raceway

- Draw a view plan of the room/area where ducting raceway is required. Include cabinet sizes and positions as well as ladder racks, cable trays or air conditioning ducts
- Denote duct size required in each area
- Mark ducting raceway support bracket locations. The recommended spacing for mounting brackets is 900 mm or 1.2 m maximum. For copper systems use 600 mm spacing
- Brackets should be mounted close to the joiners if possible
- Draw a side view of all areas where the ducting raceway changes level or mounting



About Rainford Solutions Ltd

We have been designing and manufacturing data centre racks and cabinets, hot and cold aisle containment, modular caging and partitioning systems and many more data centre solutions for over a decade. We continually innovate to meet the ever-changing infrastructure challenges of today's highly advanced technological centres.

We work with critical infrastructure operators, systems integrators and global operators to develop custom-made enclosures as well as standardised solutions for micro-data centres to hyperscalers, new or existing facilities.



Our Consult, Design, Make and Protect process allows our UK engineering team to develop solutions to your challenges, quickly and cost-effectively, ensuring your equipment will perform at its best, achieving high levels of reliability and in-life maintenance costs.

Our modern factory, including the UK's most advanced powder paint plant, can produce in volume for national and international scale infrastructure projects. We also offer factory pre-wiring to save valuable time on site.

Contact

Rainford Solutions Ltd
Rainford House
Mill Lane
Rainford
St Helens WA11 8LS
Tel: +44 (0) 1744 889 886
Email : sales@rainfordsolutions.com
Web : www.rainfordsolutions.com

